

GSAO-1 Analog Output Module Installation and Configuration *Quick-Start* Guide

START HERE



1 What's in the Box?

- >1 GSAO-1 Analog Output Module
- >1 Flat Blade Screwdriver
- >1 pk containing 4 ea #10 Stainless Steel Sheet Metal Screws and 6 ea Star Washers
- >1 3 mm Hex L-Key
- >1 External Grounding Kit
- >1 Desiccant Pack
- >2 Wiring Connectors that mate to the PCBA
- >1 Wooden Golf Tee
- >1 pk containing 1 ea screw and washer for internal cable shield grounding
- >7 Cable Ties
- >1 Quick-Start Guide

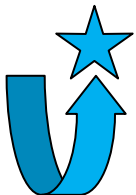
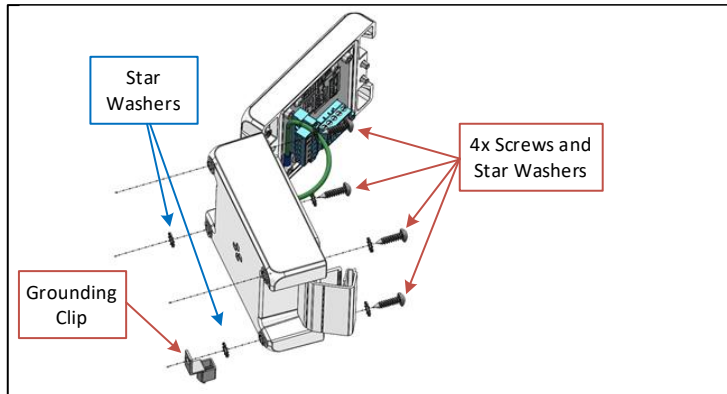


2 Tools Required

- > Portable Drill - For Drilling Pilot Holes and Driving Mounting Screws
- > 3mm (0.125") Drill Bit - For Drilling Pilot Holes into Metal
- > Bit Extender - For Driving Mounting Screws
- > #2 Phillips Drive Bit - For Driving Mounting Screws with Drill
- > #2 Phillips Screw Driver - For Driving Screw for Cable Shield Ground
- > Adjustable Wrench - For Tightening Gland Fittings
- > Wire Stripper - For Preparing Wires for Connection
- > Wire Cutters - For Cutting Wires to Length and Trimming Cable Ties
- > Marker or Pencil - To Mark Hole Locations and Wire Cut Lengths

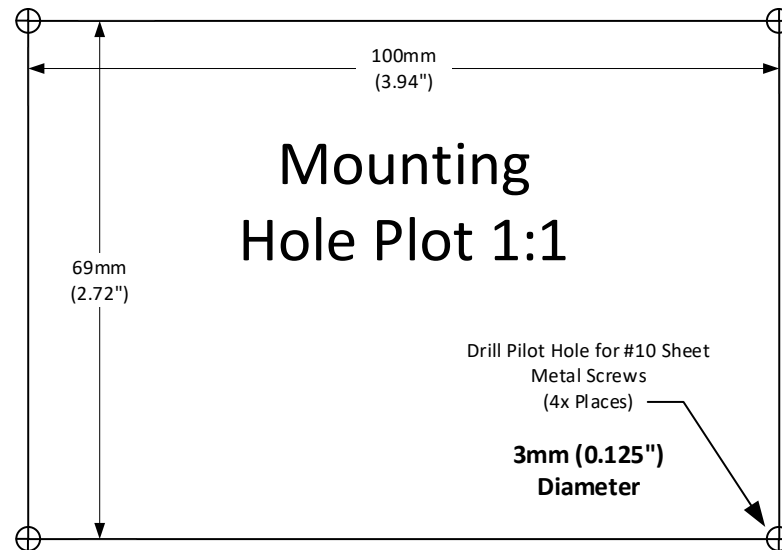


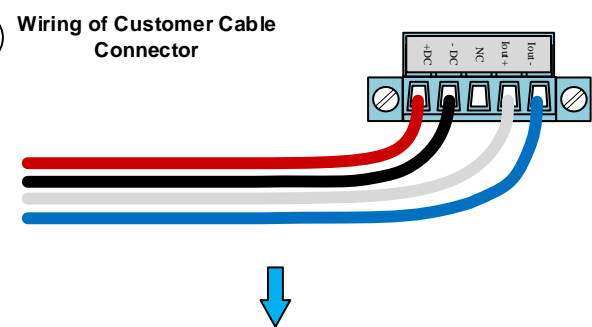
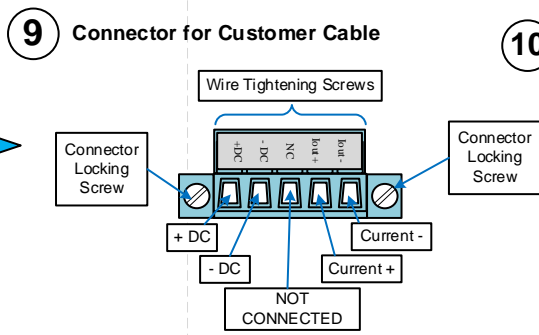
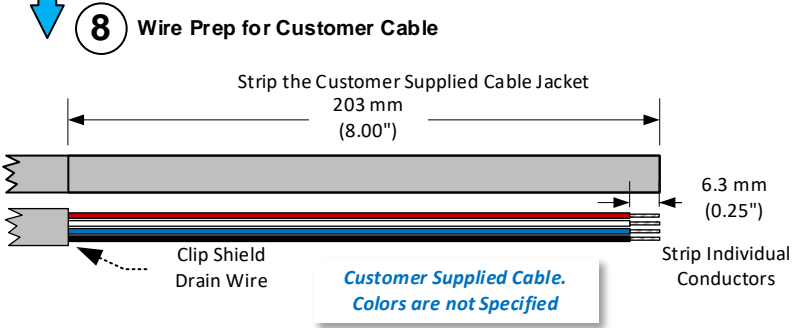
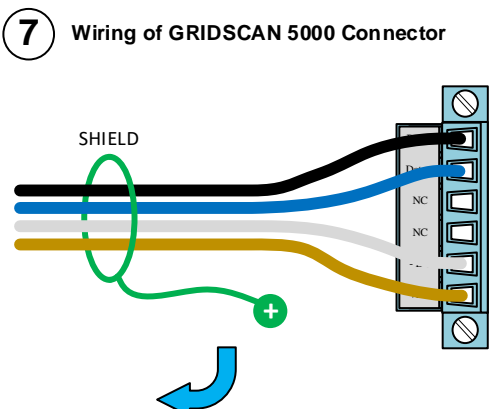
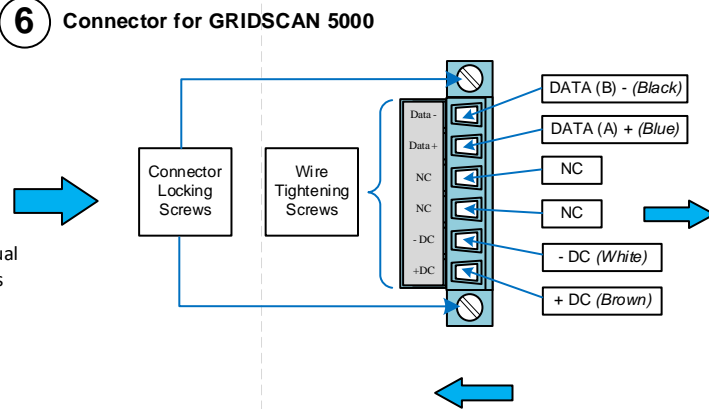
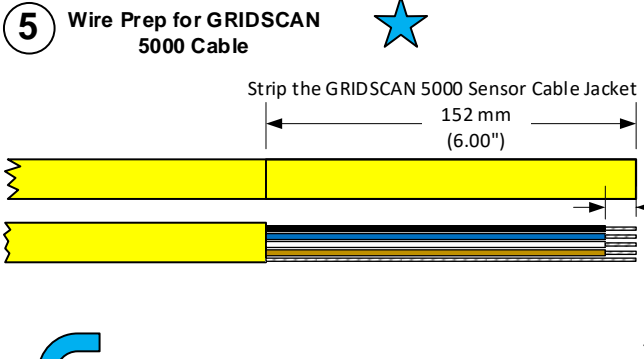
4 Mounting GSAO-1 Using 4x #10 Stainless Steel Screws and star washers (Included) DO NOT OVER TIGHTEN



Turn Page Over to Continue

3 1:1 Plot for Mounting the GSAO-1





12 Configuration

A) Turn "CFG" Switch ON
Lights will Dance

B) Set only ONE Oil Type Switch (if Oil Calibrated Sensor)
On is UP Only One Switch and LED

C) Set only ONE Scaling Switch
On is RIGHT Only One Switch and LED

D) Turn "CFG" Switch OFF for Normal Operation
Lights will Dance

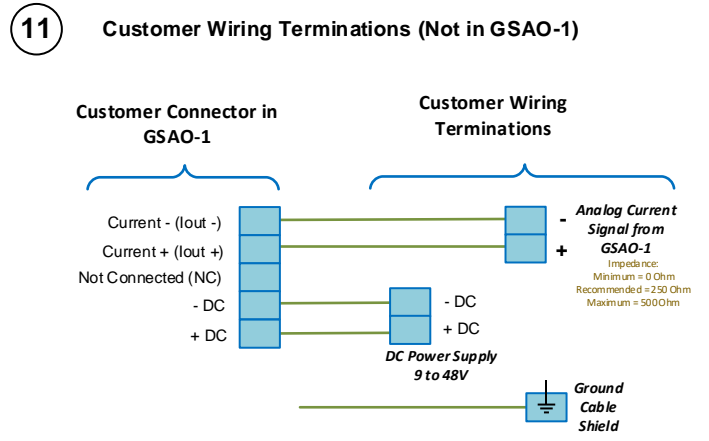
OIL TYPE	GAS (ppm)	OIL (ppm)
SESTER (7131)	2,000	100
SILICONE	5,000	250
N ESTER (FR3)	10,000	500
MINERAL	20,000	1,000
	40,000	2,000
	100,000	5,000

AO SCALING

Analog Output "TEST" Mode

- AO = 12 mA
- AO = 3 mA

NOTE: Only ONE Oil Type and only ONE Scaling Switch Can be Set to be Valid



13 Technical Support

technicalsupport@h2scan.com

