

1 BRO-1 Quick Start Guide

What's in the Box

- ▶ BRO-1 Relay Output Module
- ▶ 2 Terminal Blocks
- ▶ 1 pk. Containing 4 ea #10 Stainless Steel Sheet Metal Screws & 4 ea Star Washers
- ▶ 2 x 1/2" NPT Cable Gland Kits
- ▶ 1 x 3/8" NPT Cable Gland Kit
- ▶ Size T20 Steel Torx Bit
- ▶ 3 Cable Ties
- ▶ 1 Quick Start Guide

Tools Required

- ▶ Portable Drill - For Drilling Pilot Holes and Driving Mounting Screws
- ▶ 3mm (0.125") Drill Bit - For Drilling Pilot Holes into Metal
- ▶ Bit Extender - For Driving Mounting Screws
- ▶ #2 Phillips Drive Bit - For Driving Mounting Screws with Drill
- ▶ #2 Phillips Screw Driver - For Driving Screw for Cable Shield Ground
- ▶ Adjustable Wrench - For Tightening Gland Fittings
- ▶ Wire Stripper - For Preparing Wires for Connection
- ▶ Wire Cutters - For Cutting Wires to Length and Trimming Cable Ties
- ▶ Marker or Pencil - To Mark Hole Locations and Wire Cut Lengths

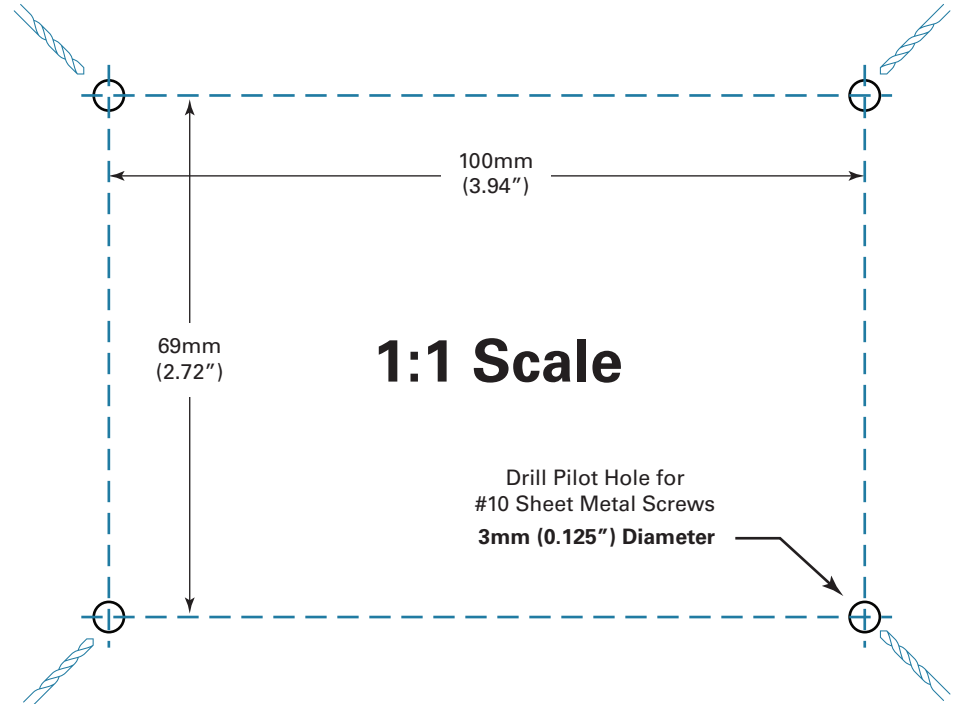
H2scan® 27215 TURNBERRY LANE
UNIT A, VALENCIA, CA
91355-1068
Advanced Hydrogen Sensing

**READ MANUAL
BEFORE USE!**



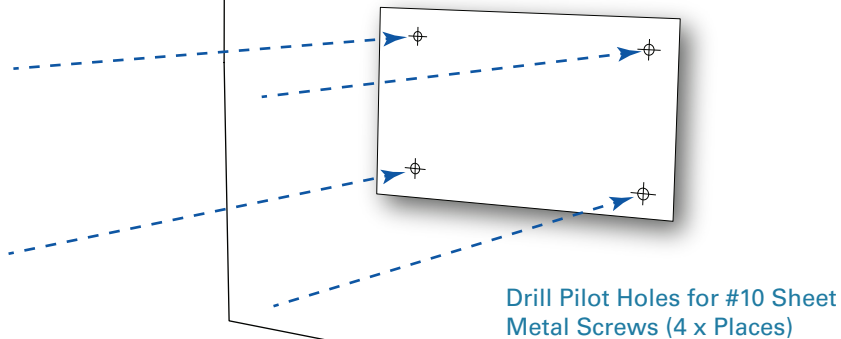
P/N 90000224 ECO-24-241 R1

2 Mounting Hole Template



3 Mounting Direction - Step 1

Use the Mounting Hole template on page 2 of Quick Start Guide to locate placement of pilot holes



4 Mounting Direction - Step 2

Mount the BRO-1 using 4 x #10 stainless steel screws and star washers (included). DO NOT OVERTIGHTEN

